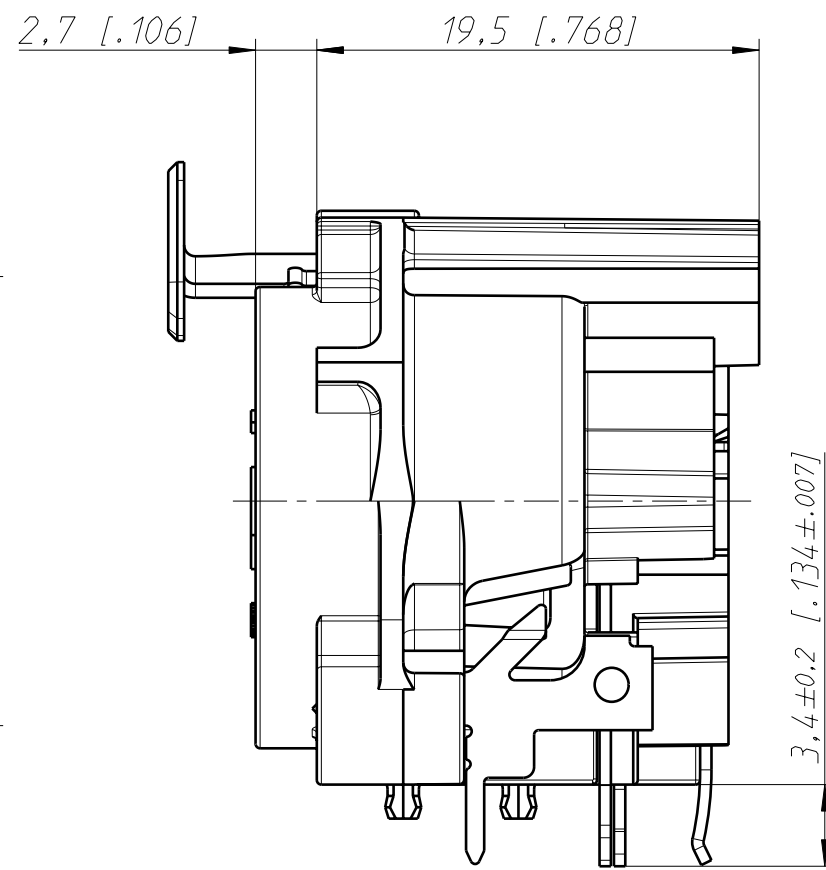
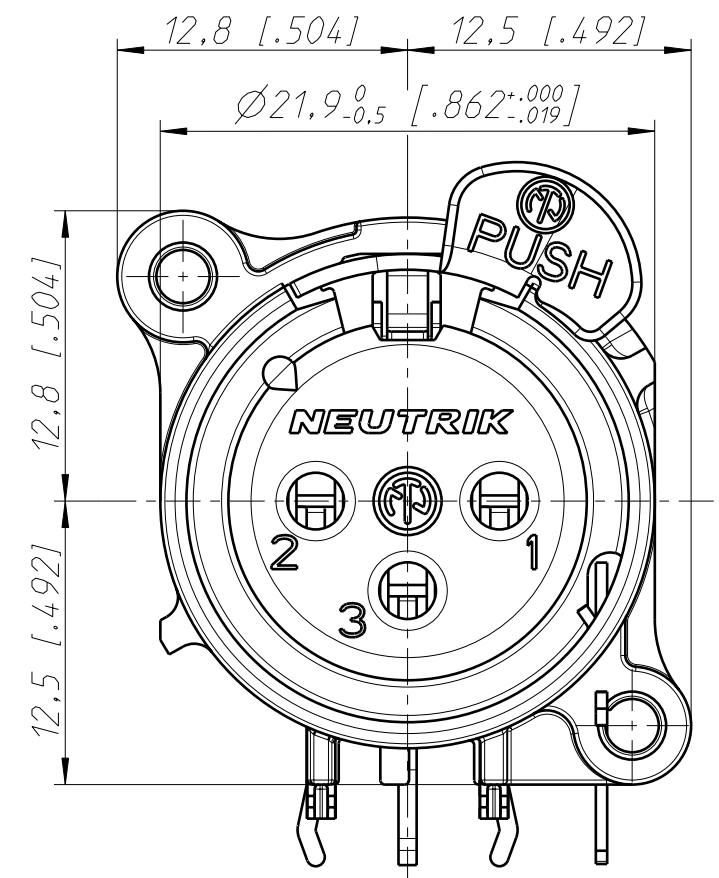


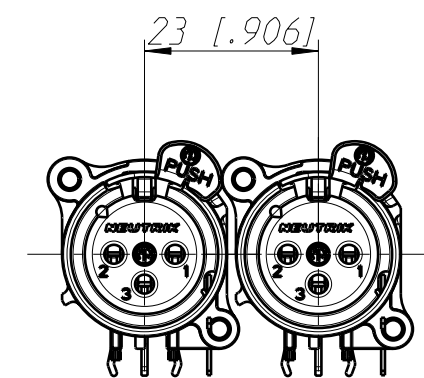
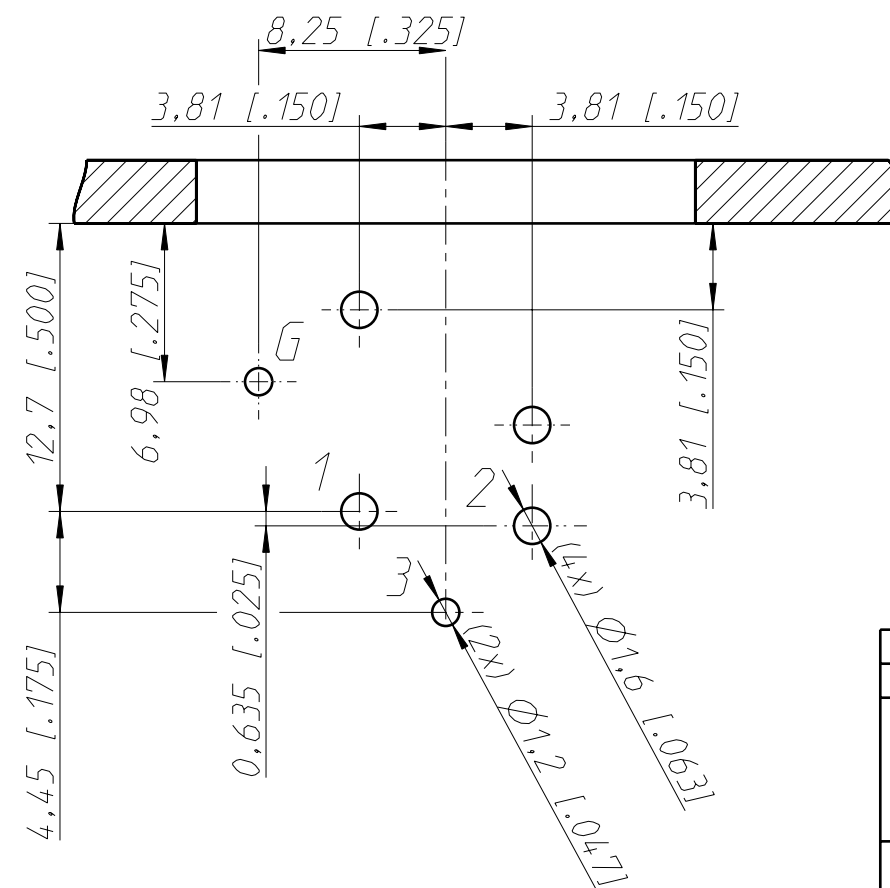
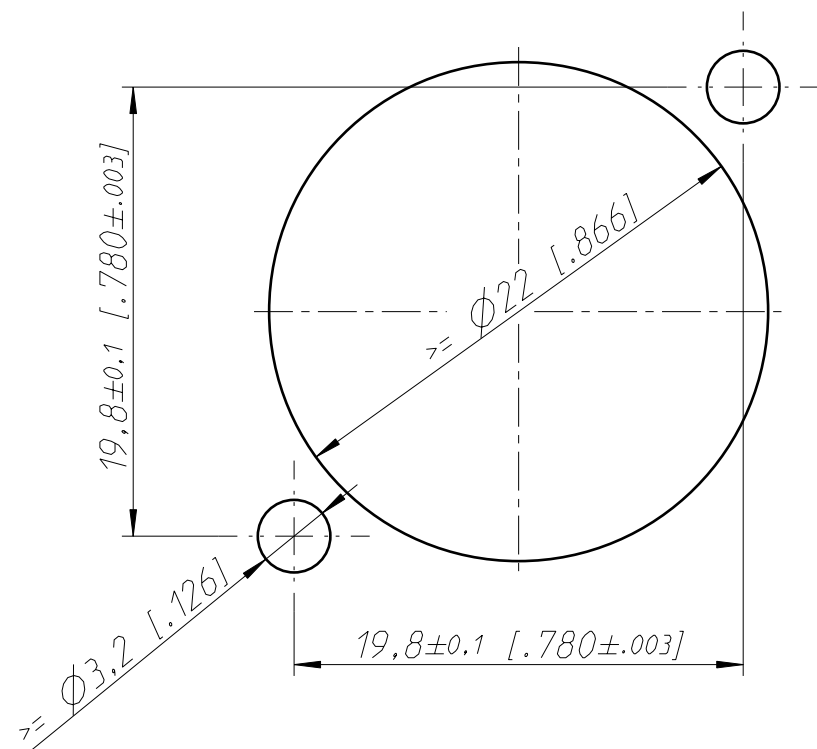
Frontplattenausschnitt (Rückseite)
Panel cut out (rear side)



Print-Bohrplan (Bestückungsseite)
PCB-Layout (component side)



min. Einbauabstand
min assembling distance



1:1

General tolerances ISO 2768-m	Scale	Date	Name
Refer to protection notice ISO 16016.	3:1 (A3)	17.05.17	Karlinger
Name	NC3FAH	Modified	07.03.19
	NC3FAH2-DA	Change-No.	Sheet-No.
		2018-0139	1 / 1
		Replacement for:	Index
		Drawing-No.	-
NEUTRIK		ST-NC3FAH2-DA	