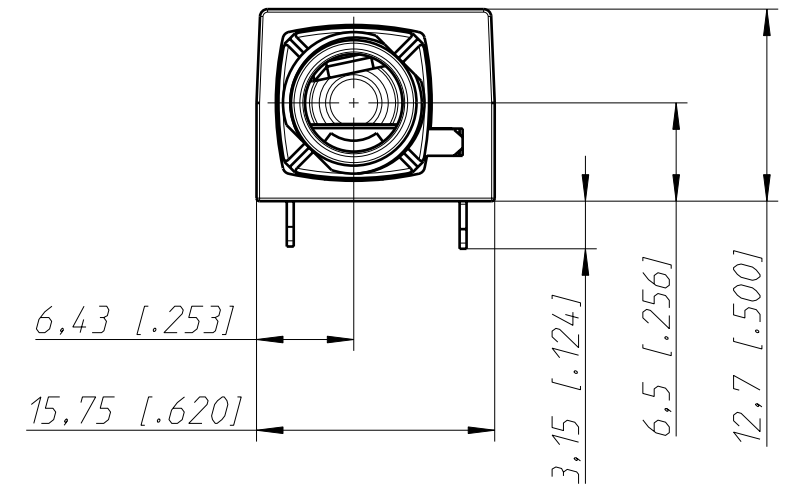
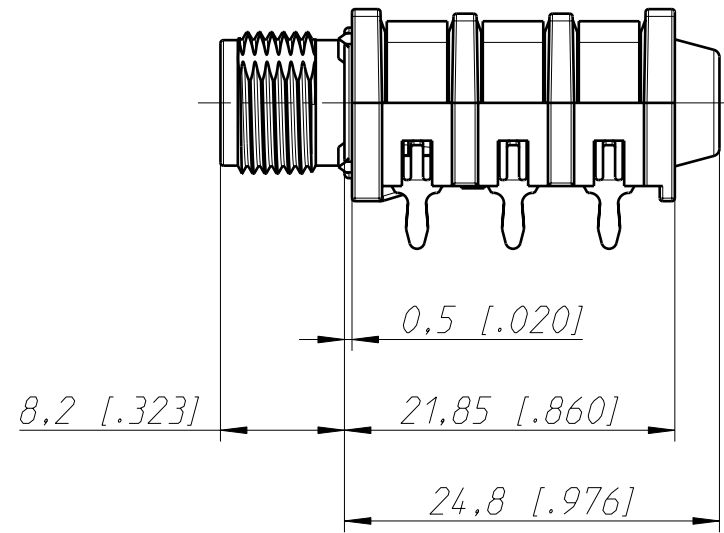
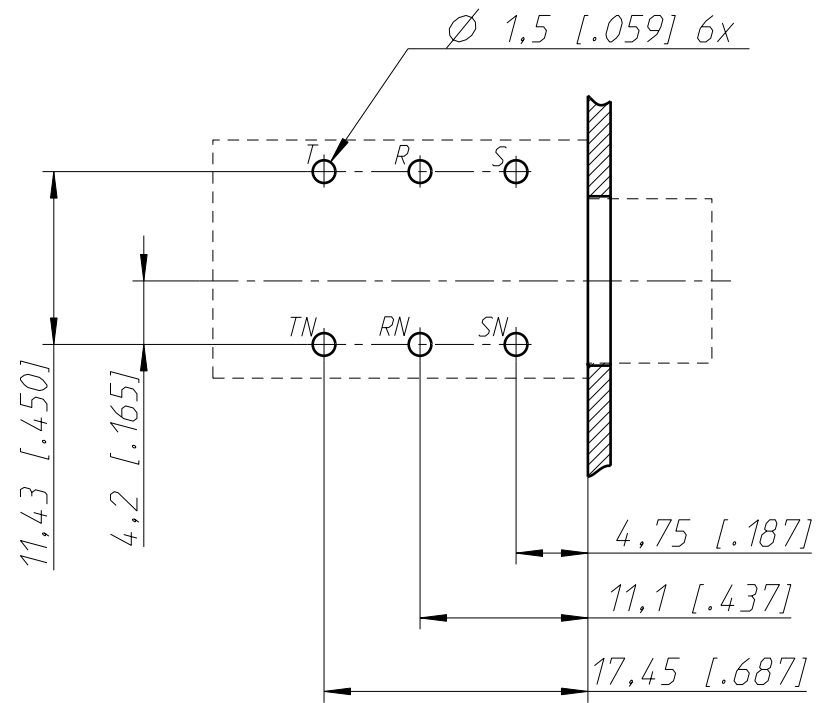
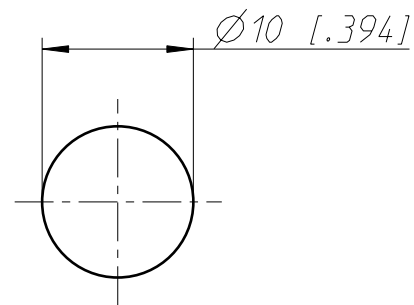


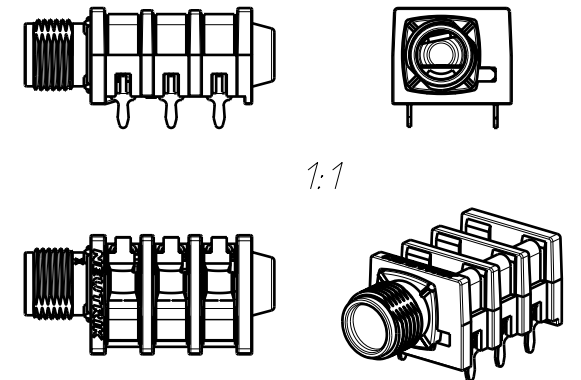
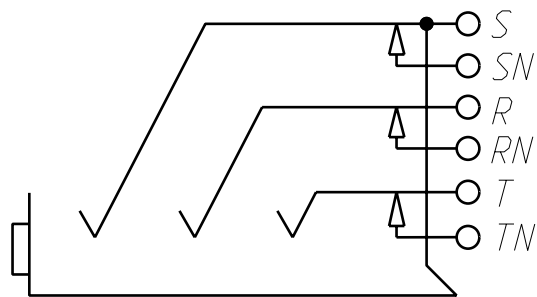
Print Bohrplan Bestückungsseite
PCB-Layout (component side)



Frontplattenausschnitt (Rückseite)
Panel cut out (rear side)



JACK- NORMALLING



Sheet Number 1/1	Projection 	Scale 2:1	Format A3	Tolerancing ISO 2768-mK	
ECN Number -			Created 28.01.2003	noe	
Description NRJ6HM-1			Modified 19.02.2021	mmu	
			Approved 19.02.2021	phk	
			Status Released		
NEUTRIK		3D Model ID NRJ6HM-1	Document ID ST-NRJ6HM-1	Revision A	