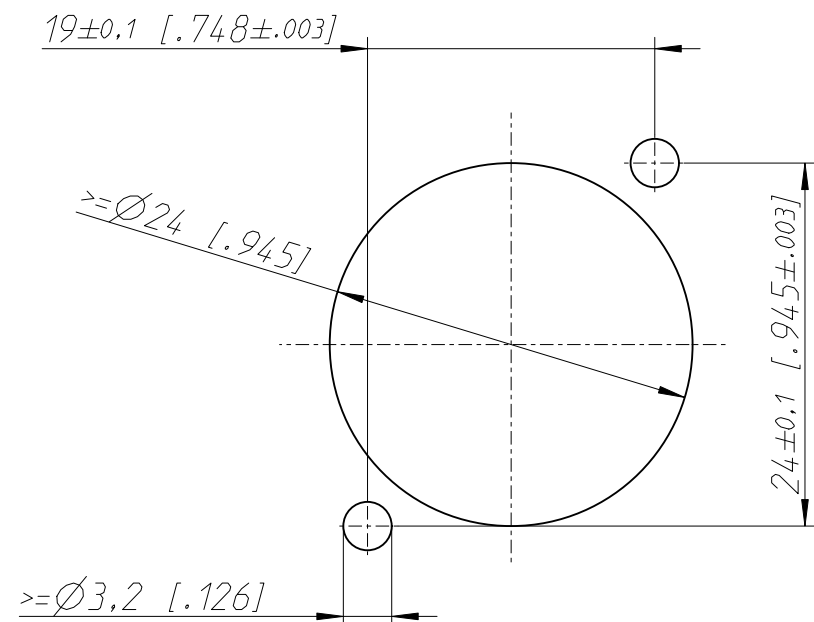
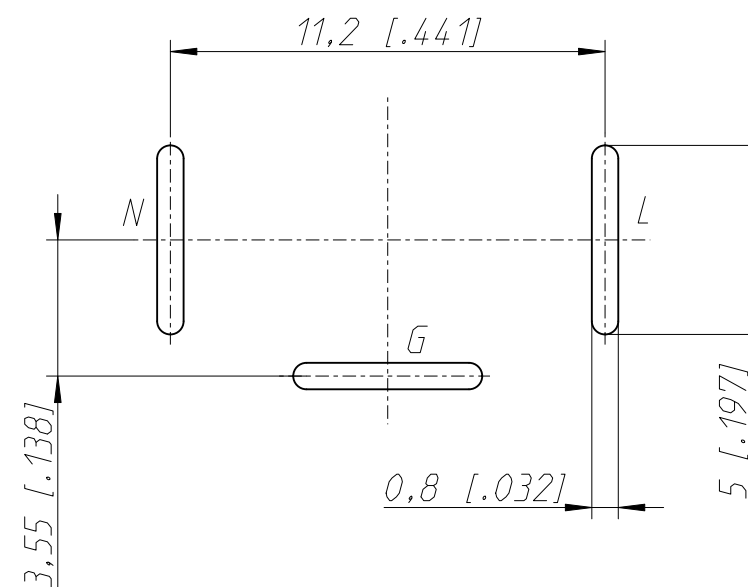


Frontplattenausschnitt Rückseite
panel cutout rearside



Leiterplatten Bohrplan Bestückungsseite
PCB-Layout (component side)

Toleranz ±0.05 [0.002]
M 5:1



1:1

| | | | |
|---------------------------------------|----------|------------|-----------|
| General tolerances ISO 2768-m | Scale | Date | Name |
| Refer to protection notice ISO 16016. | 2:1 (A3) | 10.01.20 | Hofmann |
| Name | | Modified | - |
| | | Change-No. | Sheet-No. |
| | | - | 1 / 1 |
| Replacement for: | | Index | |
| Drawing-No. | | - | |
| NAC3MPXXB-WOT | | 20002467 | |
| NEUTRIK | | | |