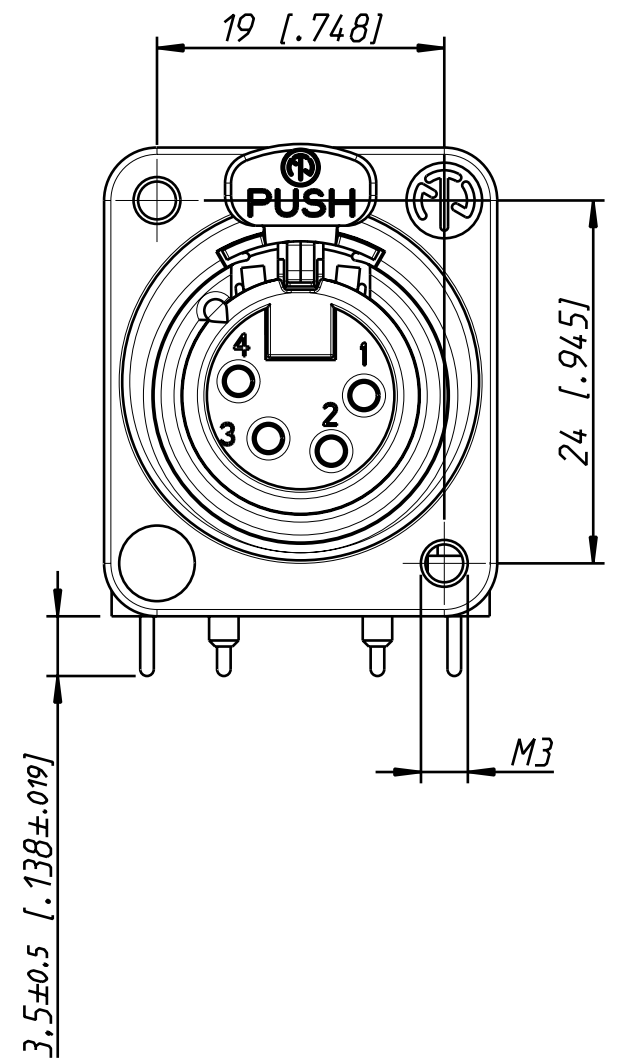
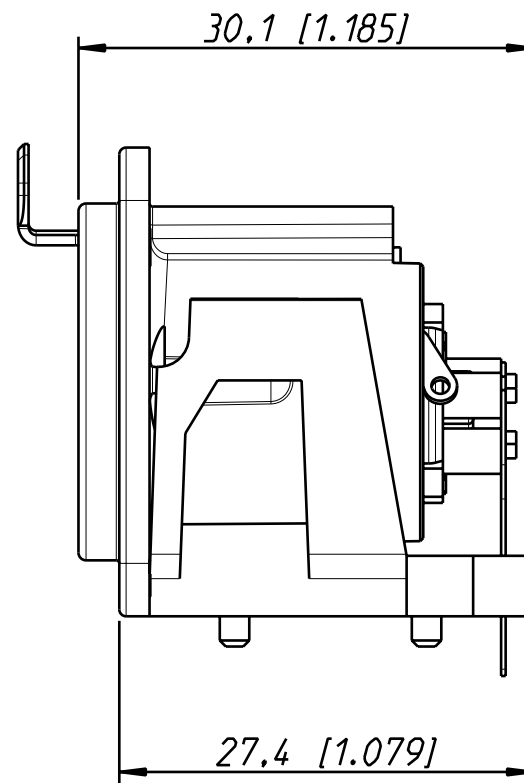
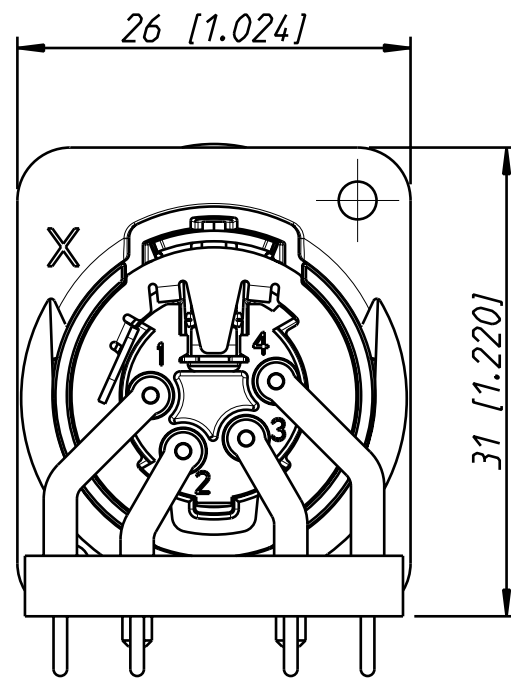
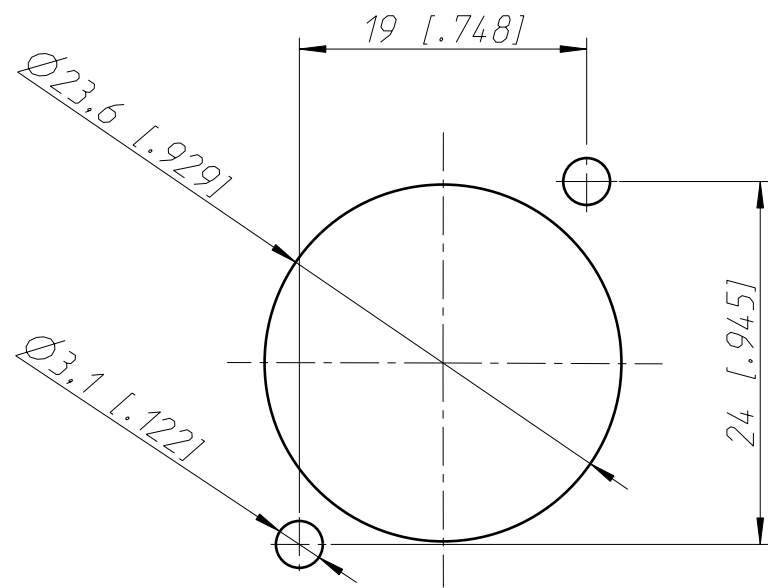


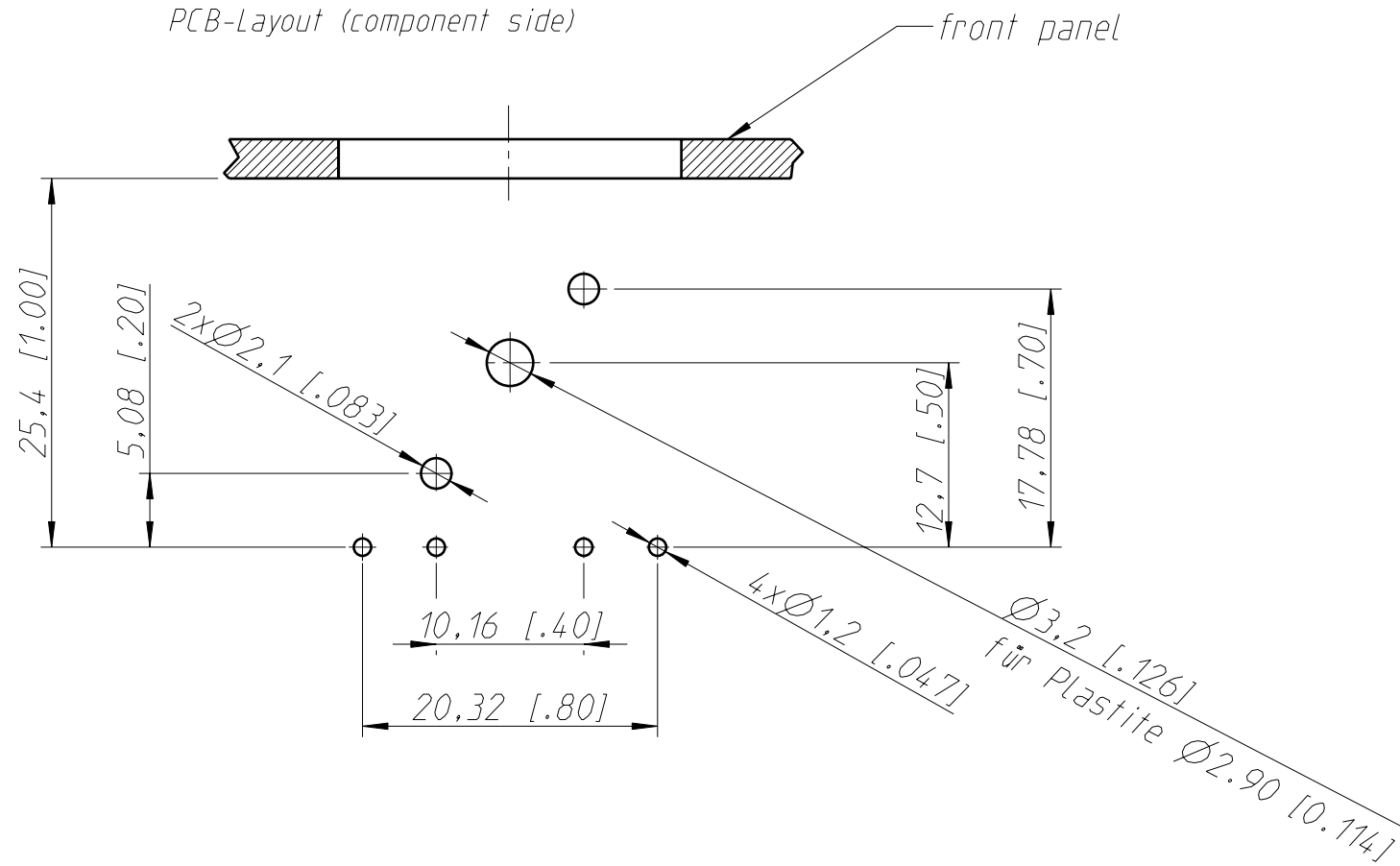
Frontplattenausschnitt (Rückseite)

panel cut out (rear side)



Print-Bohrplan (Bestückungsseite)

PCB-Layout (component side)



Sheet Number 1/1	Projection 	Scale 2:1	Format A3	Tolerancing ISO 2768-mK	
ECN Number -			Created 09.07.2020	mmu	
Description ST-NC4FDM3-H-1			Modified n.a.	n.a.	
			Approved 11.02.2021	phk	
			Status Released		
NEUTRIK		3D Model ID NC4FDM3-H-1	Document ID ST-NC4FDM3-H-1	Revision -	