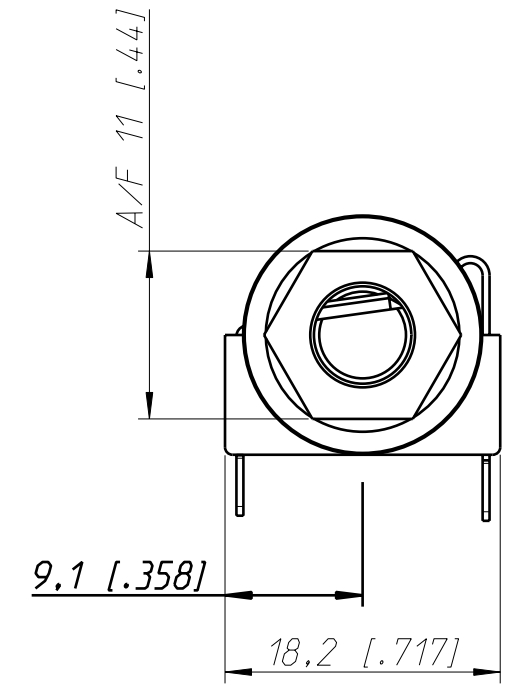
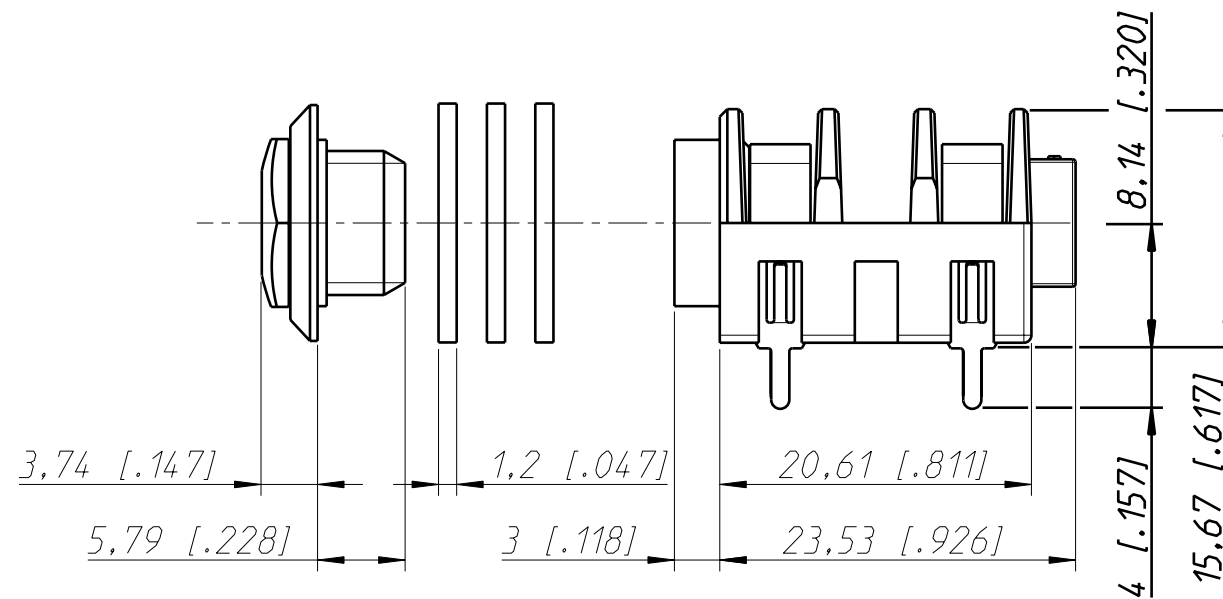
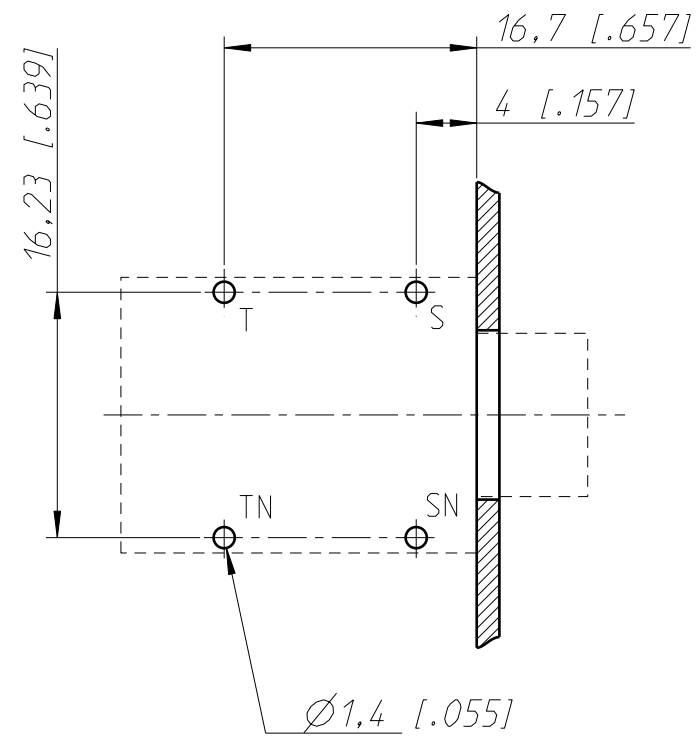
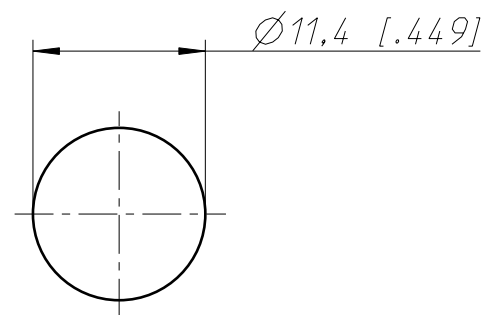


Print Bohrplan Bestückungsseite  
PCB-Layout (component side)



Frontplattenausschnitt (Rückseite)  
Panel cut out (rear side)



Sheet Number 1/1	Projection 	Scale 2:1	Format A3	Tolerancing ISO 2768-mK	
ECN Number -		Created 20.02.2003		noe	
Description  NMJ4HCD2			Modified 22.02.2021	mmu	
			Approved 23.02.2021	phk	
			Status Released		
NEUTRIK		3D Model ID NMJ4HCD2	Document ID ST-NMJ4HCD2	Revision -	