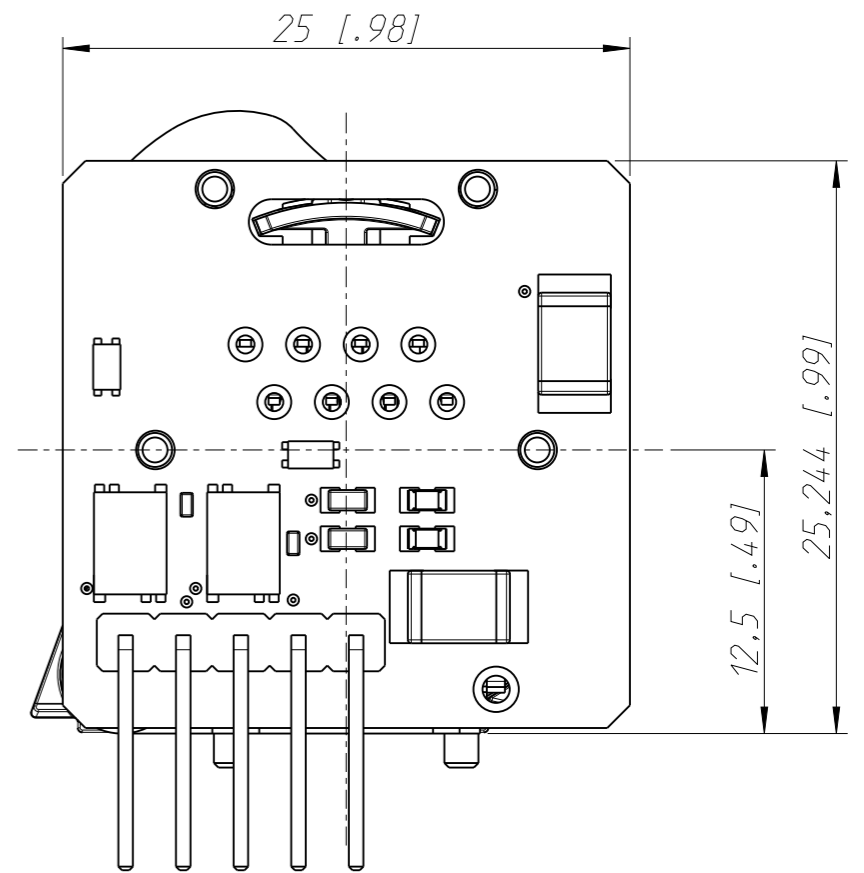
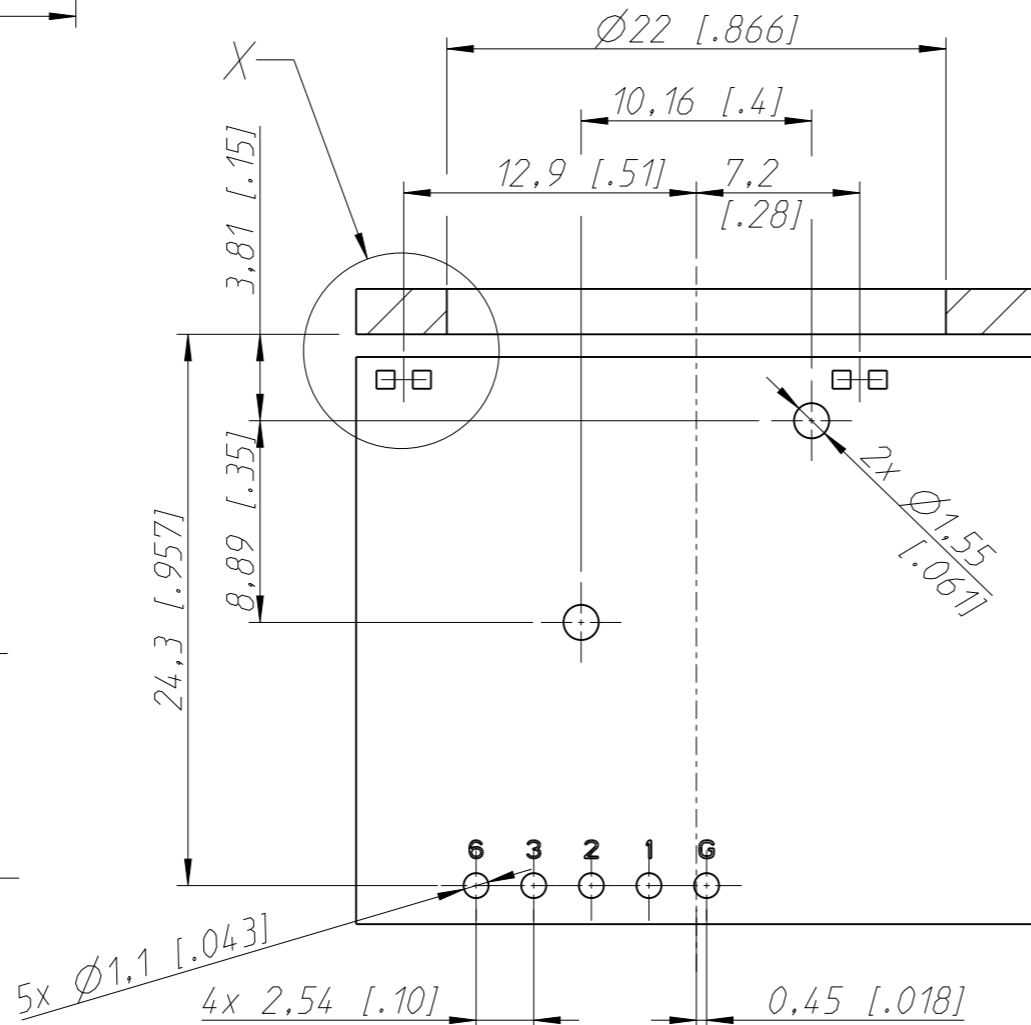
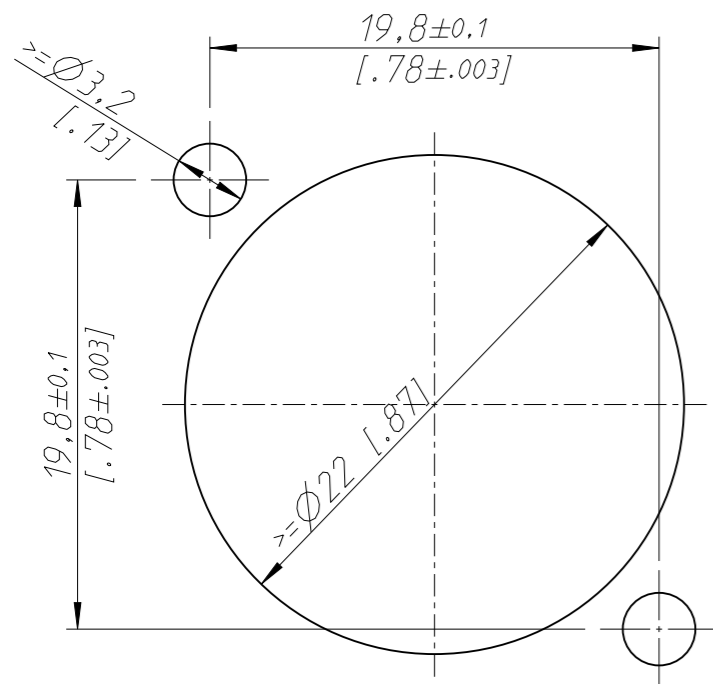


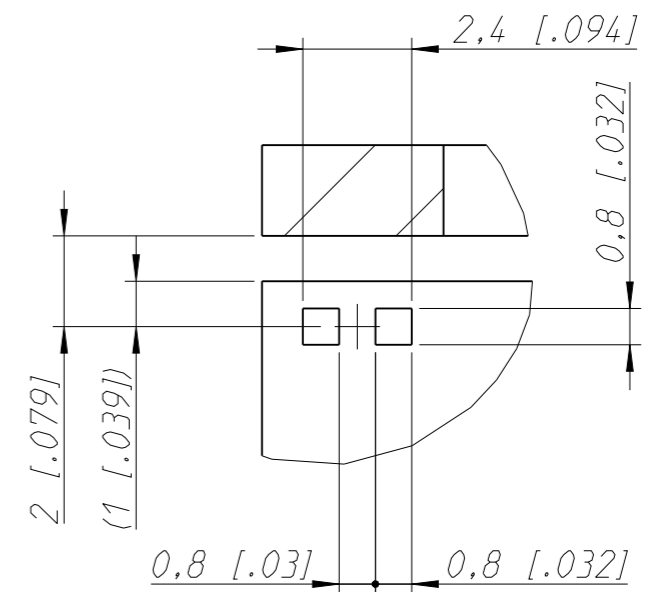
PCB-Layout (component side)



Panel cut out (rear side)



X LED size: 0603 (max height: 0.8mm)  
6:1 Recommended solder pad layout:



Sheet Number 1/1	Projection 	Scale 3:1	Format A3	Tolerancing ISO 2768-mK	
ECN Number -			Created 18.02.2022	Frenzel S.	
Description NE8FAH-M-MB-LR-DAE			Modified n.ä.	n.ä.	
			Approved 25.02.2022	Zechmann K.	
			Status Released		
<b>NEUTRIK</b>	3D Model ID 30009530	Document ID 20003782	Revision -		