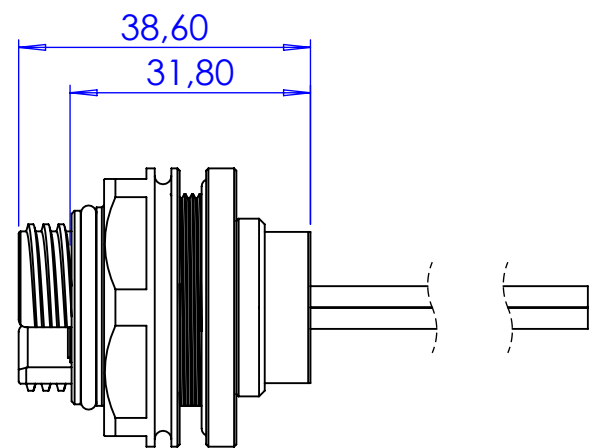
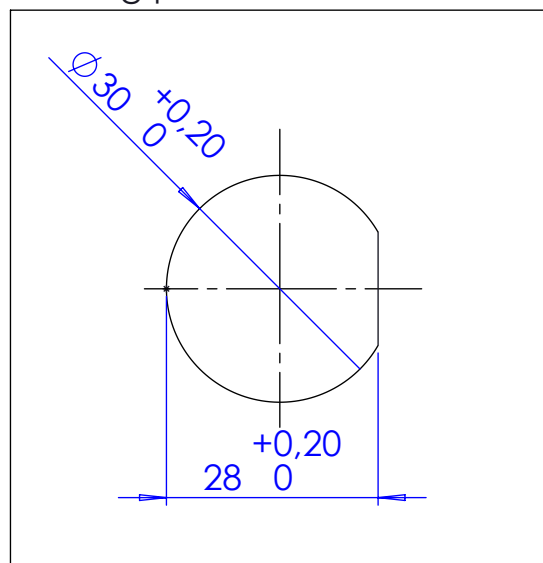


drilling pattern from the front



max. panel thickness is 6.5mm [.25 inches]

Sheet Number 1/1	Projection 	Scale 1:1	Format A3	Tolerancing ISO 2768-	
g	cm ²	cm ³	Created	HeBo	22.12.2023
Material			Modified		
Material addition			Approved	HeBo	22.12.2023
Description N04SJW-FG-xxx FIBERFOX EBC25 SM 4CH chassis breakout			ECN Number		
			Status	FOR FINAL	
NEUTRIK		3D Model ID	Document ID	Revision 01	