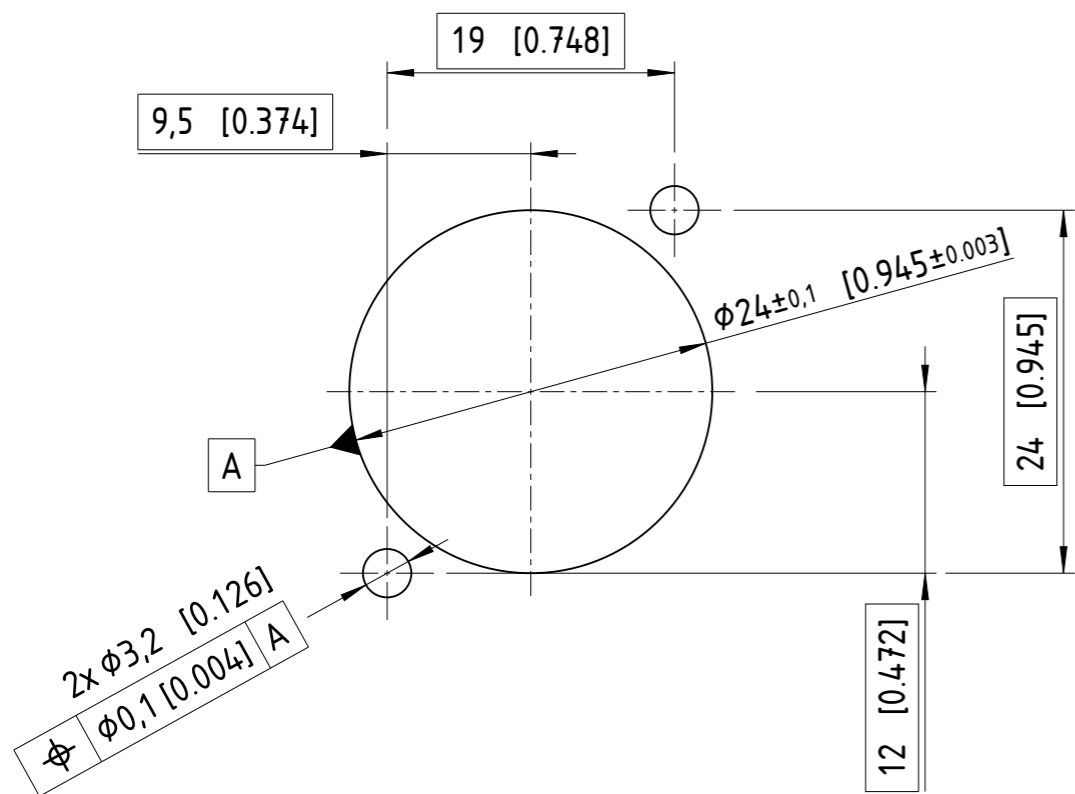


Panel cut out (rear side)



1:1

Sheet Number 1/1	Projection 	Scale 1.5:1	Format A3	General Tolerancing ISO 2768 mK	
Description			Created on/by	09.02.2023	Frenzel S.
NC5MDXX-TOP			Approved on/by	29.09.2023	Mangeng M.
			Article ID	Model ID	Drawing ID
			NC5MDXX-TO P	30010283	20004449
Status	Revision		ECN Number		Neutrik Group
Released	-		-		