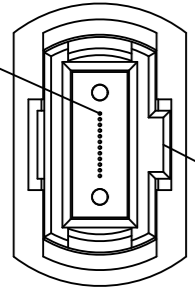
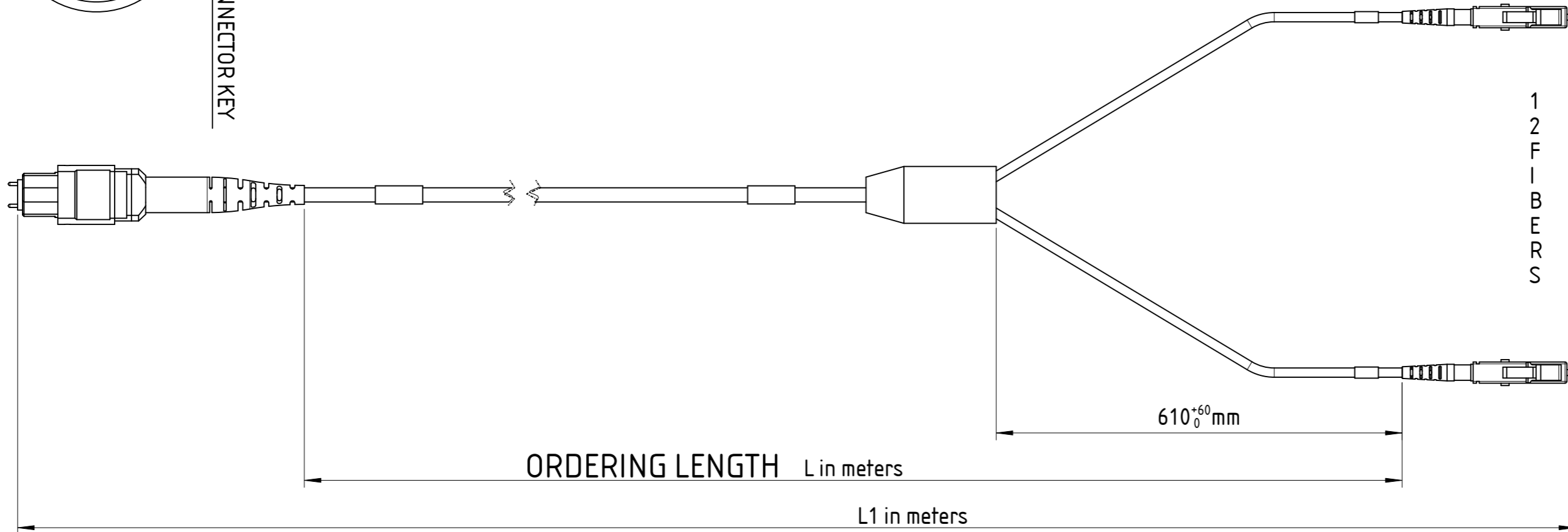


POSITION 1



CONNECTOR KEY



CONNECTING TABLE	
COLOR	No.
BLUE	1
ORANGE	2
GREEN	3
BROWN	4
GREY	5
WHITE	6
RED	7
BLACK	8
YELLOW	9
PURPLE	10
PINK	11
AQUA	12

NOTES:

1 - DUST CAPS ARE INCLUDED BUT NOT SHOWN

2 -

MTP:

IL<0.35dB at 1310nm and 1550nm - connector value according IEC 61300-3-4 method B

RL>50dB at 1310nm and 1550nm - connector value according IEC 61300-3-6

LC:

IL<0.25dB at 1310nm and 1550nm - connector value according IEC 61300-3-4 method B

RL>50dB at 1310nm and 1550nm - connector value according IEC 61300-3-6

3 - ALWAYS CHECK CONNECTION WITH LASER FOR MT CONNECTORS AFTER ASSEMBLING

4 - Temperature range:

operation: -20°C to +70°C (PVC)  
 storage: -40°C to +70°C (PVC)  
 installation: -0°C to +70°C (PVC)

The Fanoutcable is available in the following variants:

- MTP 12 to 12 x LC
- MTP 12 to 12 x ST
- MTP 12 to 12 x SC

All variants are available in SINGLEMODE and MULTIMODE.

Sheet Number 1/1	Projection 	Scale 1:1	Format A3	General Tolerancing ISO 2768 mK	
Description			Created on/by	17.06.2024	Schhuster R.
1x12f MTP(M) to 12x* 12F FANOUT CABLE			Approved on/by		
			Article ID	Model ID	Drawing ID
Status			Revision	ECN Number	<b>Neutrik Group</b>
			-	-	