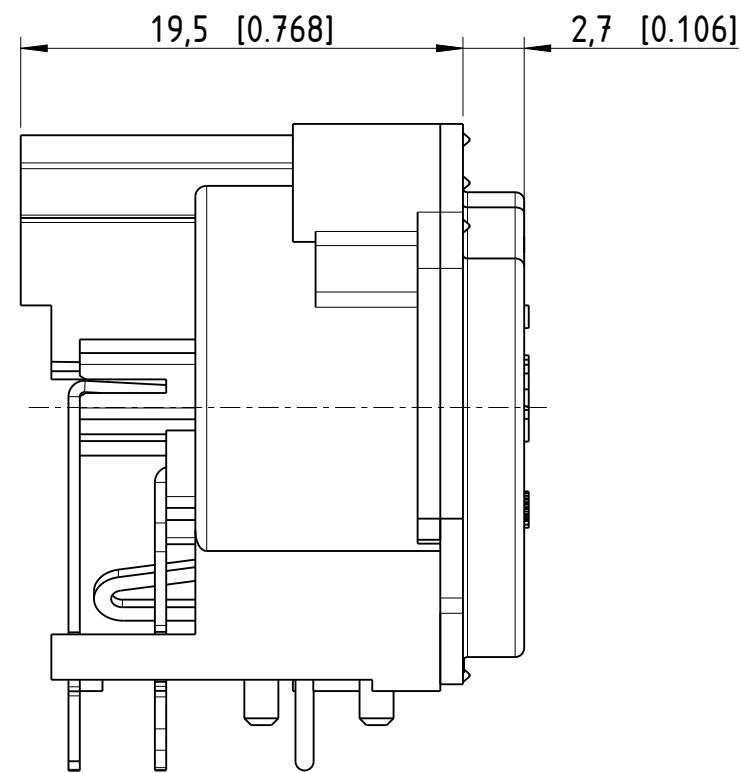
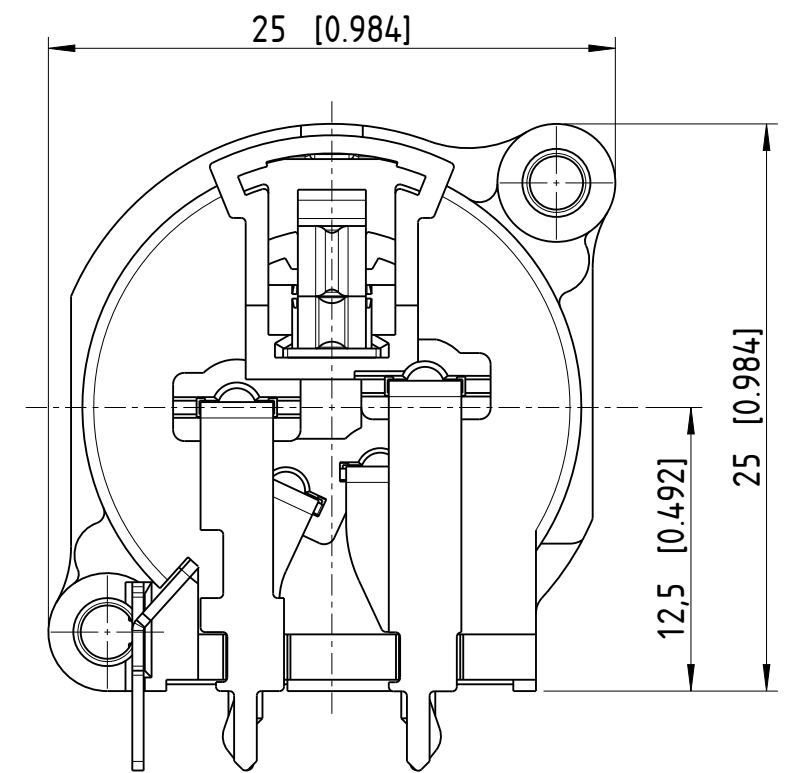


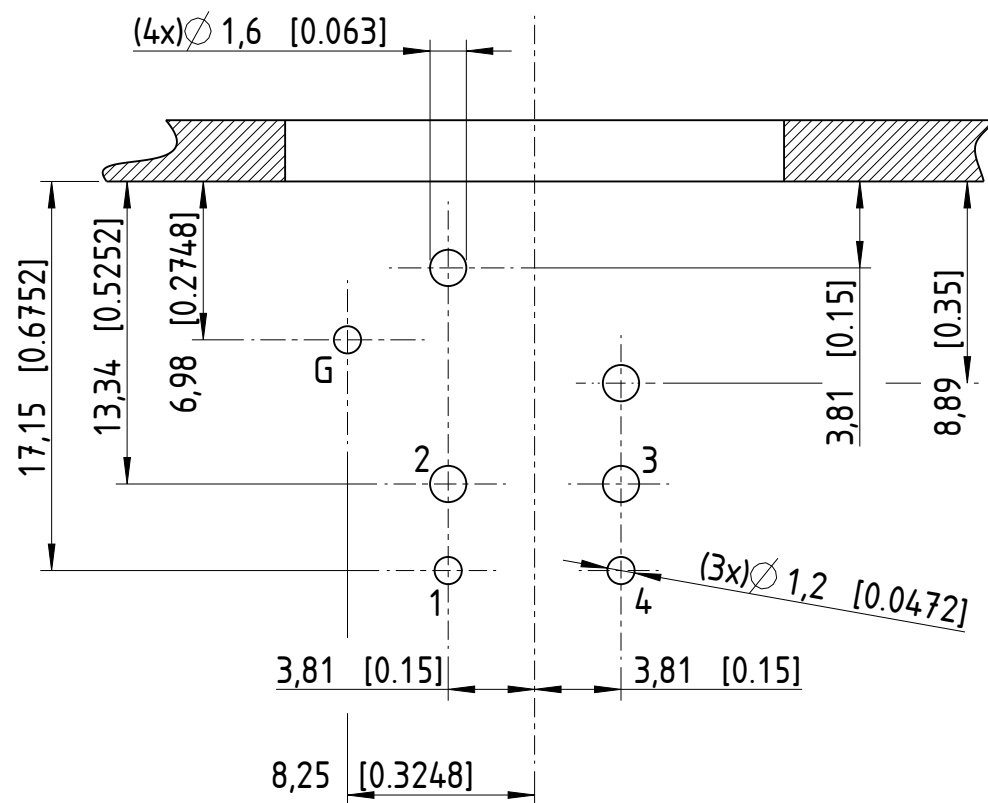
Print Bohrplan (Bestückungsseite)  
PCB Layout (component side)



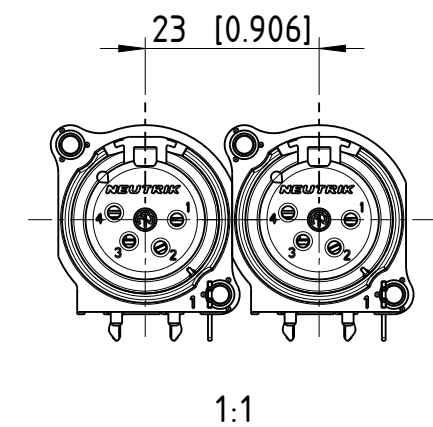
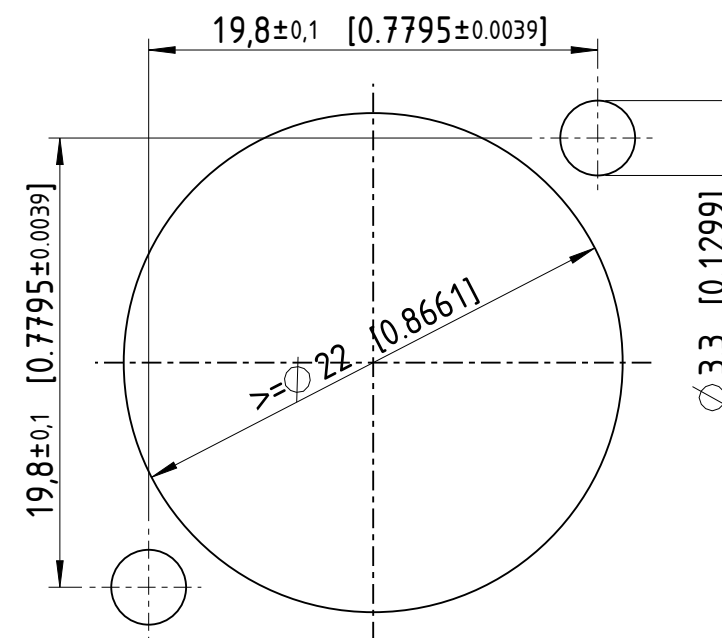
Frontplattenausschnitt (Rückseite)  
Panel cut out (rear side)



min. Einbauabstand  
min. assembling distance



Layout tolerance:  $\pm 0.05$  mm [0.002"]



Sheet Number 1/1	Projection 	Scale 3:1	Format A3	General Tolerancing ISO 2768 mK	
Description			Created on/by	01.10.2024	Schuster R.
NC4FBH-0			Approved on/by	02.10.2024	Feurle E.
			Article ID	Model ID	Drawing ID
Status			Revision	ECN Number	
Released			-	-	

**Neutrik Group**