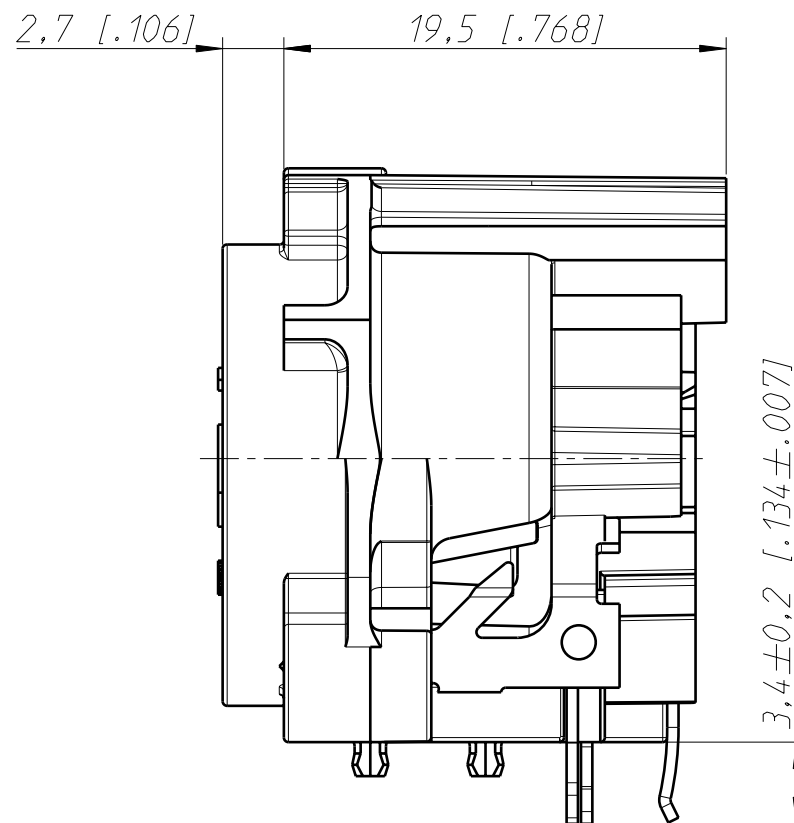
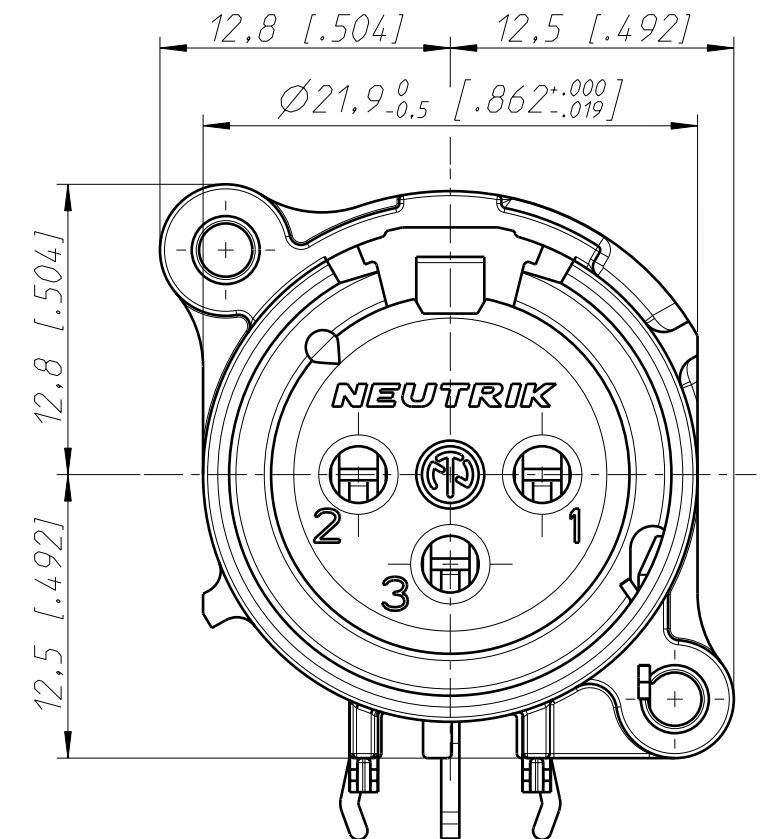


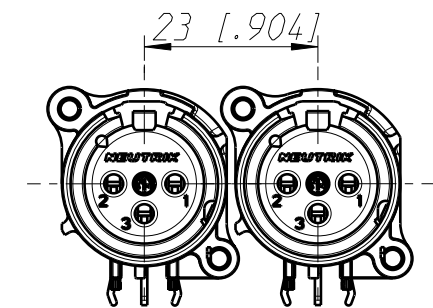
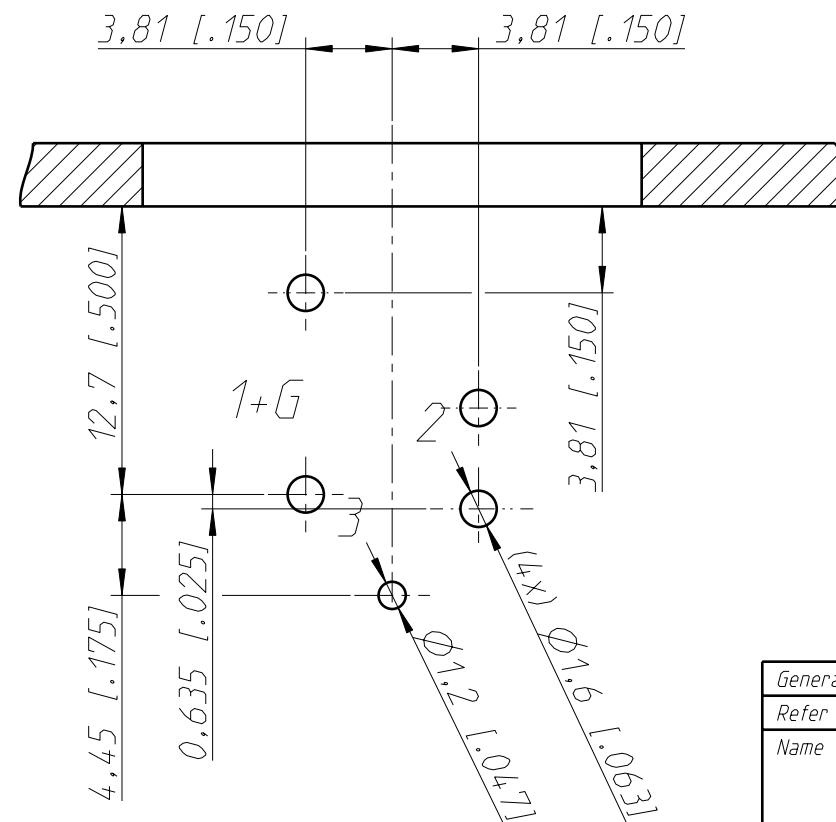
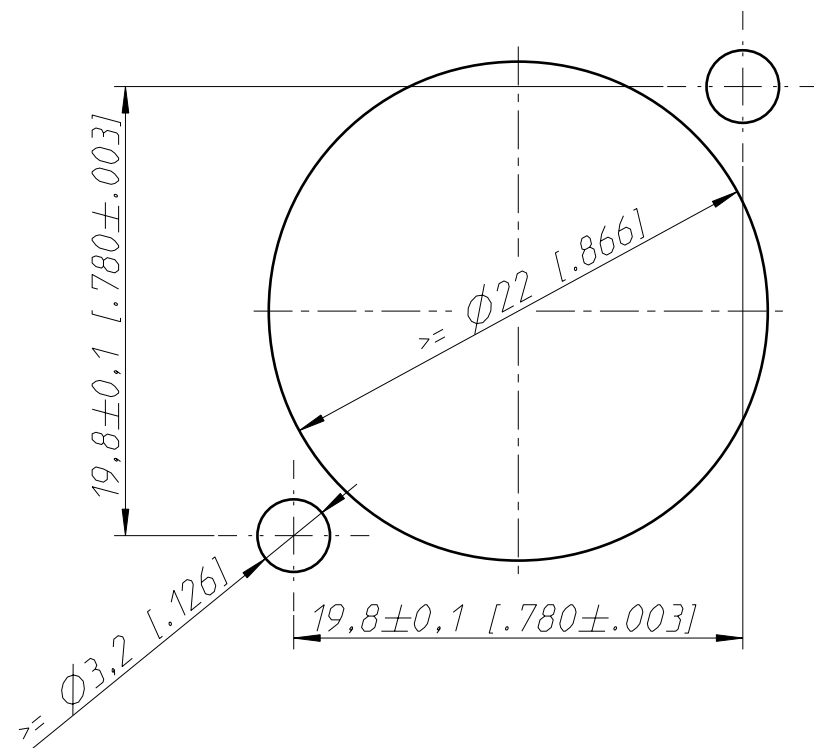
Frontplattenausschnitt (Rückseite)  
Panel cut out (rear side)



Print-Bohrplan (Bestückungsseite)  
PCB-Layer (component side)



min. Einbauabstand  
min assembling distance



1:1

Housing material: UL94 V-0

General tolerances ISO 2768-m	Scale	Date	Name
Refer to protection notice ISO 16016.	3:1 (A3)	21.12.93	Dobler
Name	NC3FAH1-0	Modified	07.03.19
	NC3FAH1-0	Change-No.	2018-0139
		Sheet-No.	1 / 1
		Index	D
		Replacement for:	
		Drawing-No.	ST-NC3FAH1-0

**NEUTRIK**