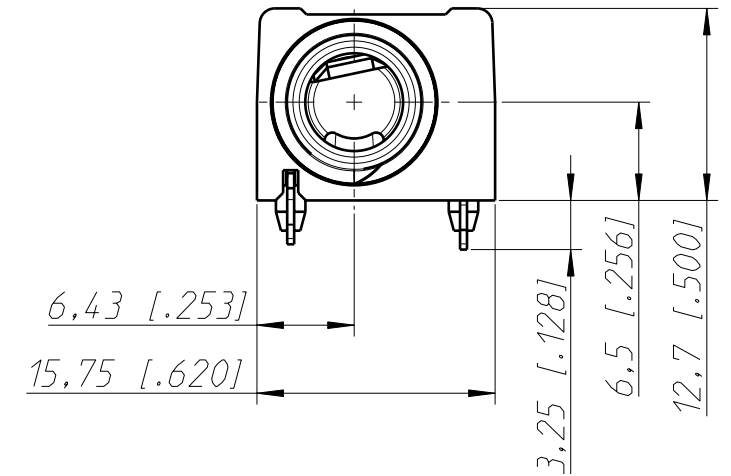
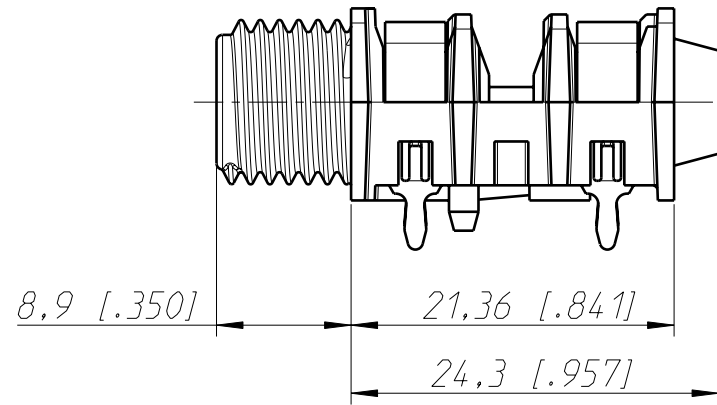
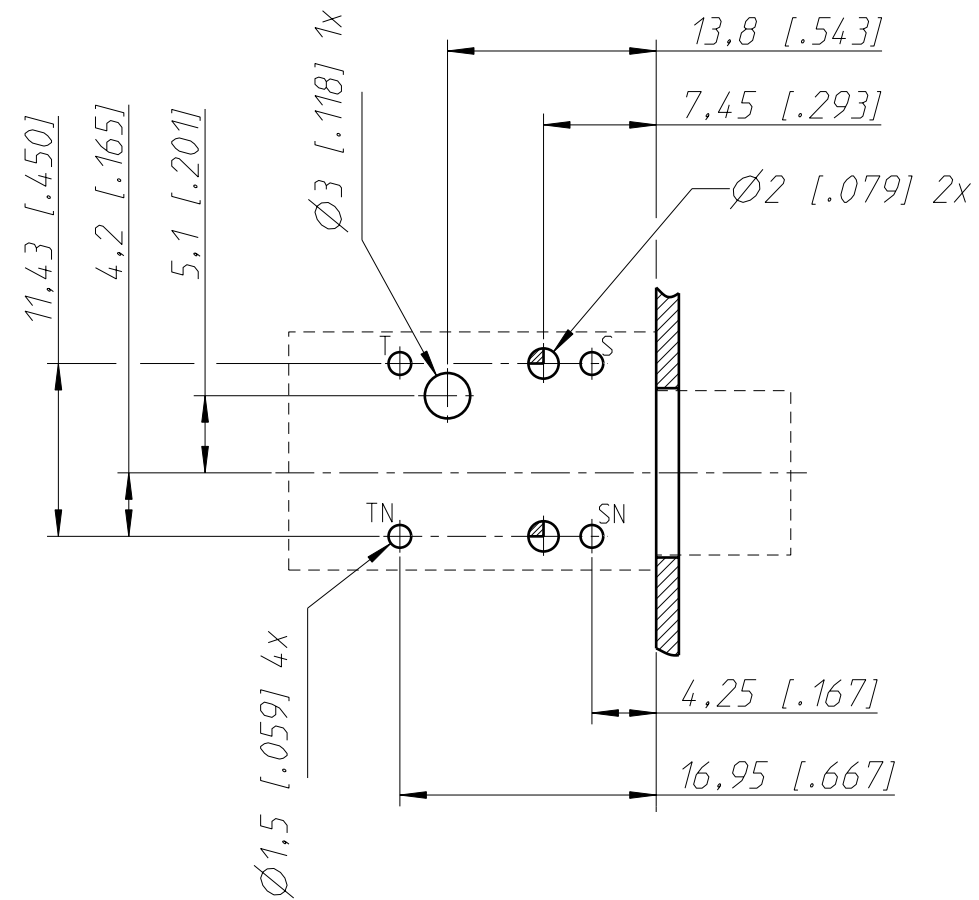
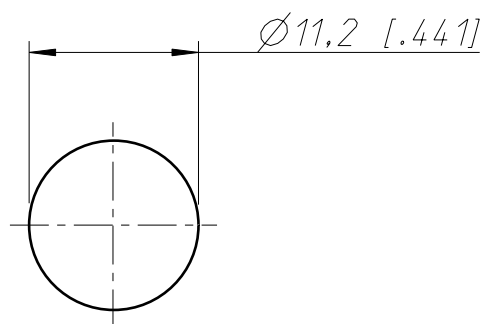


Print Bohrplan Bestückungsseite  
PCB-Layout (component side)

- Ø3 ... Anschraubbohrung (srew hole) optional
- Ø2 ... Zentrierstiftbohrungen (location pin holes)
- Ø1.5 ... Kontaktbohrungen (contact holes)



Frontplattenausschnitt (Rückseite)  
Panel cut out (rear side)



Sheet Number 1/1	Projection 	Scale 2:1	Format A3	Tolerancing ISO 2768-mK	
ECN Number -		Created 21.11.2002		nmi	
Description NRJ4HF		Modified 19.02.2021		mmu	
		Approved 19.02.2021		phk	
		Status Released			
<b>NEUTRIK</b>	3D Model ID NRJ4HF	Document ID ST-NRJ4HF		Revision -	