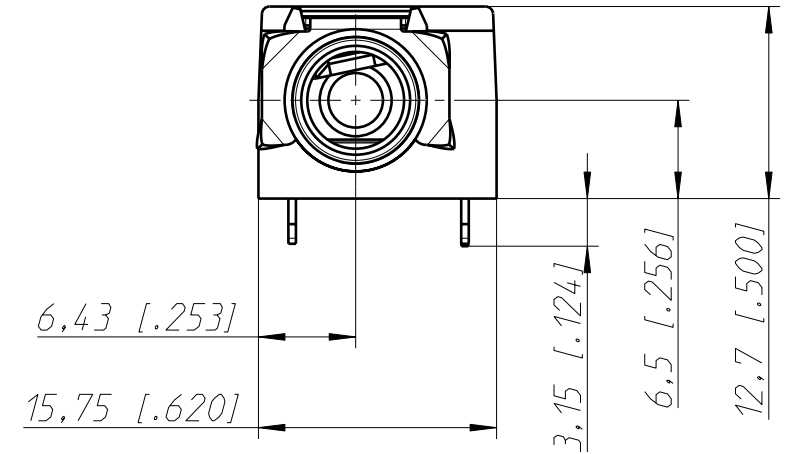
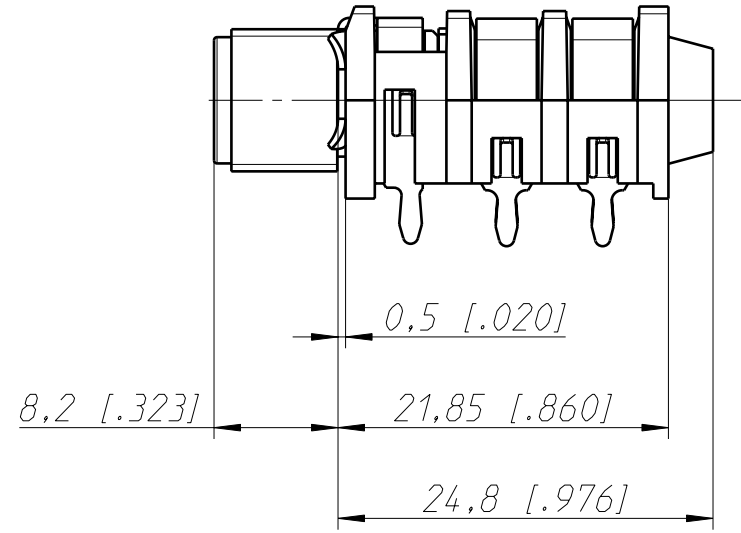
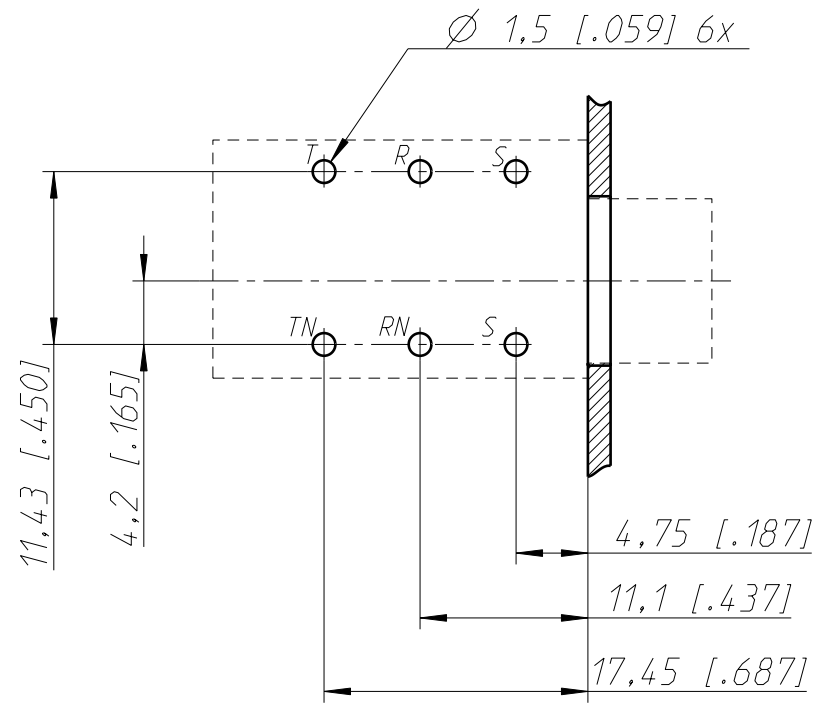
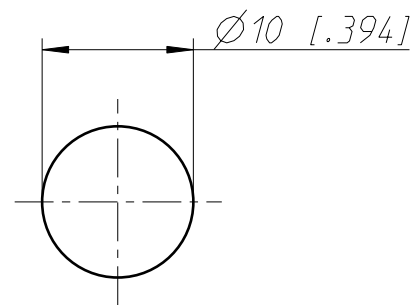


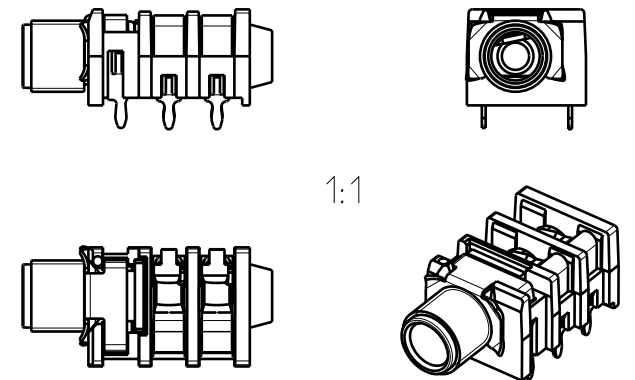
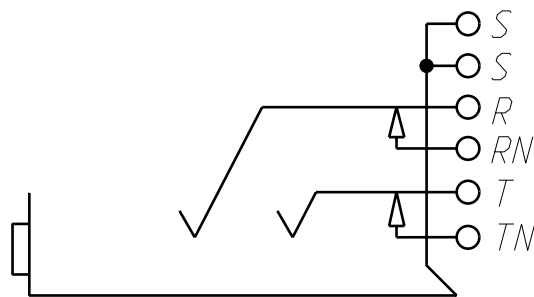
Print Bohrplan Bestückungsseite
PCB-Layout (component side)



Frontplattenausschnitt (Rückseite)
Panel cut out (rear side)



JACK- NORMALLING



Sheet Number 1/1	Projection 	Scale 2:1	Format A3	Tolerancing ISO 2768-mK	
ECN Number		Created 21.10.2009	Modified 19.02.2021	bej	
Description st-nrj6hm-1-pre			Approved 19.02.2021	phk	
			Status Released		
			3D Model ID NRJ6HM-1-PRE	Document ID ST-NRJ6HM-1-PRE	Revision -
NEUTRIK					